

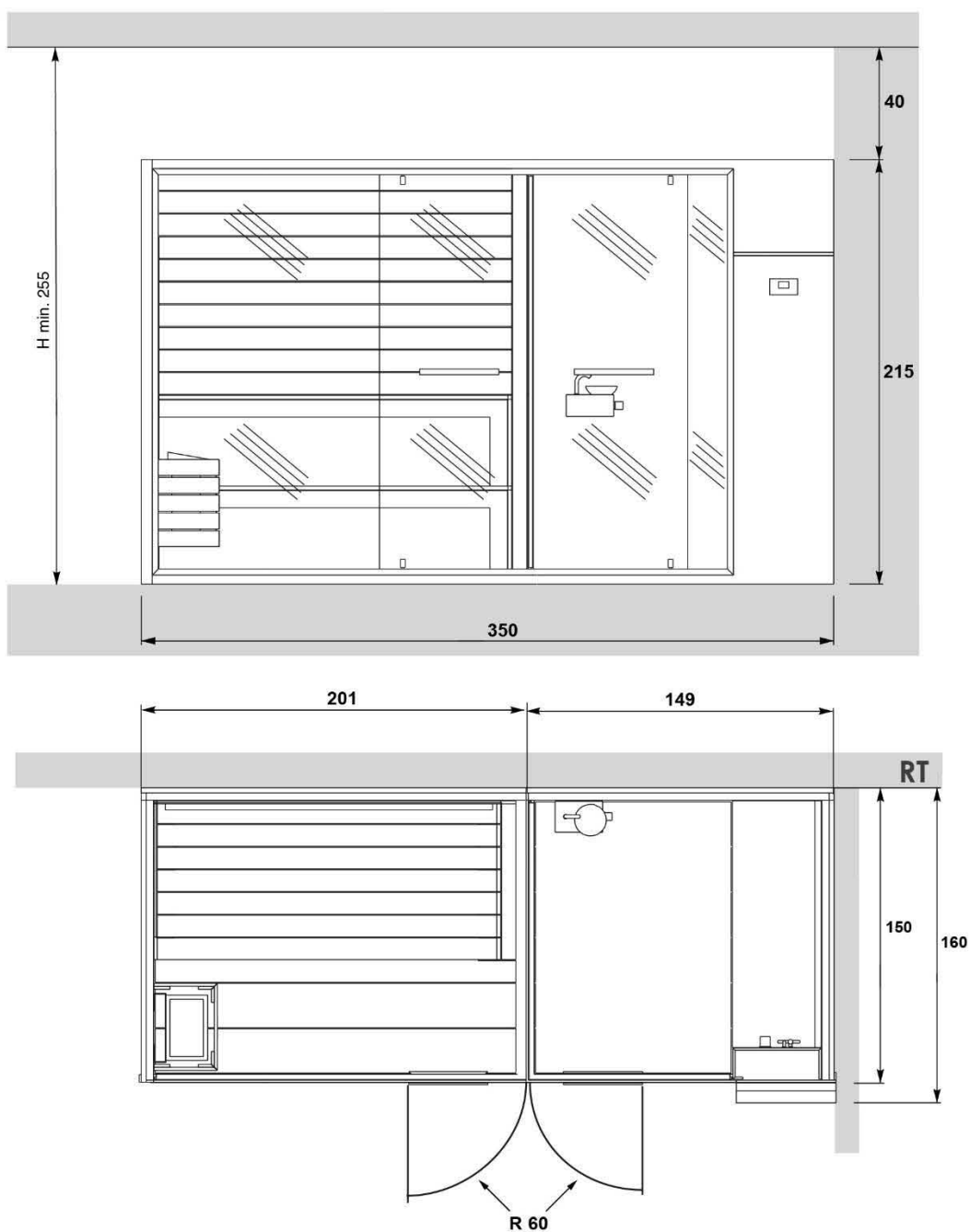
ETHOS 350 x 150 H 215

SAUNA + TURKISH BATH

RT VERSION

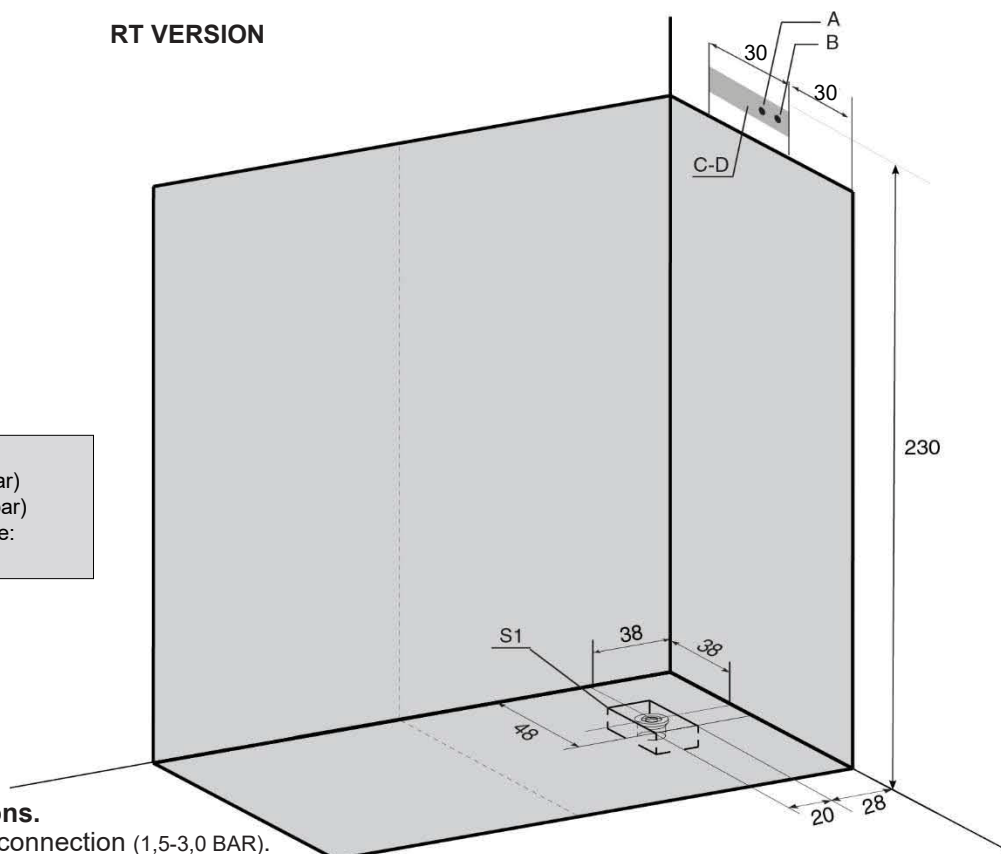


The overall dimension values are expressed in centimetres.
The actual dimensions may vary by ± 1 cm.



The minimum height of the wall tiles without protrusions is equal to the height of the stall.
On the walls there cannot be any greca or quarter round decorative patterns.

RT VERSION



	Operating pressure:
	- MIN 150 kPa (1,5 bar)
	- MAX 300 kPa (3,0 bar)
	Hot water temperature:
	- MAX 60°C (140°F)

KEY

A-B- Water wall connections.

A - 1/2" F cold water wall connection (1,5-3,0 BAR).

B - 1/2" F hot water wall connection (1,5-3,0 BAR).

C-D- Electrical tube outlet.

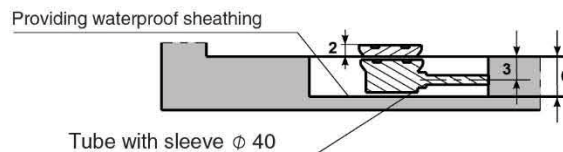
C - Power cable outlet (THREE PHASE)

D - Equipotential cable outlet.

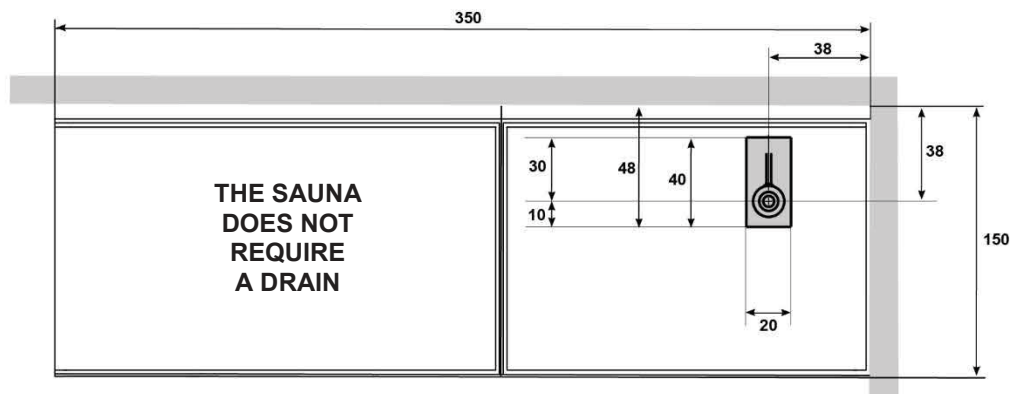
S1 - Turkish bath drain Ø 40mm.

If the water pressure is higher than indicated, install pressure reducers.

Provide shut-off cocks out of the dimensions of the product for hot and cold water closing.



CAR ATTERISTICHE ELETTRICHE:	RE SISTENZE	Volt	A	Kw	Hz	TEMPER ATUR A MASSIMA
HAMMAN	2 x 2000W	400	9	4.0	50	50 °C
CAR ATTERISTICHE ELETTRICHE:	RE SISTENZE	Volt	A	Kw	Hz	TEMPER ATUR A MASSIMA
SAUNA	3 x 2000W	400	9	6.0	50	100 °C



GRUPPO GEROMIN S.r.l.

Via I° Maggio n°5 (zona Industriale)

30029 San Stino di Livenza VE

Tel. +39 0421 312249 / +39 0421 312250

http: www.gruppogeromin.com - email: info@gruppogeromin.com